



Equipment for the Foodservice Industry

value + quality + service

Undercounter Refrigeration

CUDR2-48VC



CUDR2-48VC

Features

Features:

- Exterior & interior stainless steel construction
- Environmentally friendly R290 refrigerant
- Heavy duty Embraco compressor
- Self-closing and stay open door
- Efficient refrigeration system
- Recessed door handle
- Removable gasket that is easy to clean and replace
- Casters for easy movement
- Pre-installed shelves

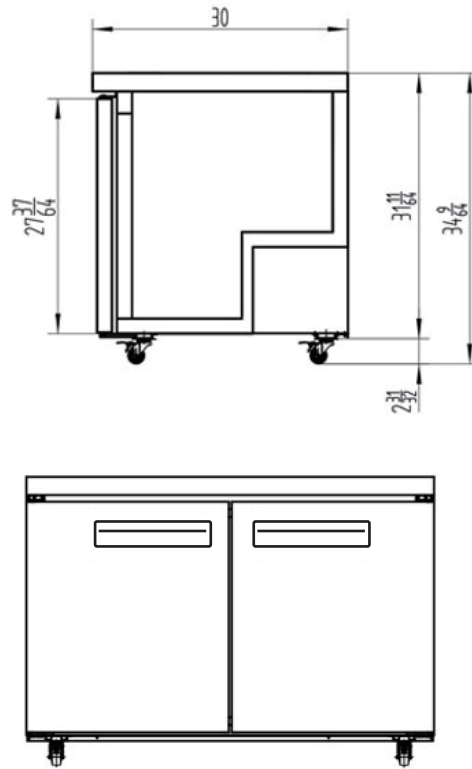
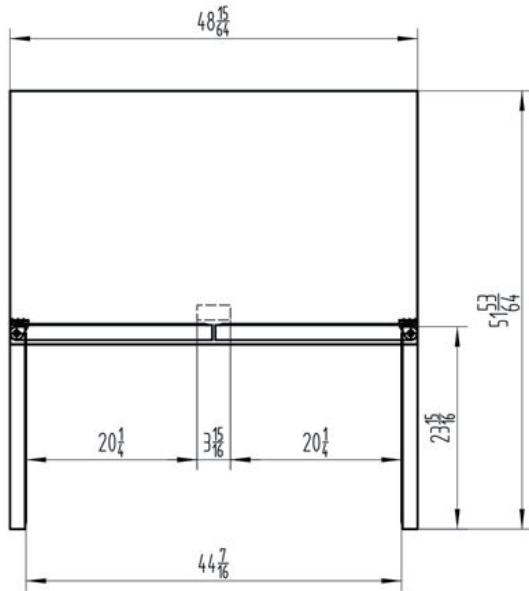
Warranty:

- Two year parts and labour; Five years on compressor. For full warranty details visit <https://www.efifoodequip.com/warranty-info.php>



CUDR2-48VC

Specifications



Model	Refrigerant	Doors	Shelves	Dimension (mm / inch)			HP	Voltage	Amps	Capacity (L / Cu Ft.)	Net Weight (KG / LBS)	Temperature Range
				L	D	H						
CUDR2-48VC	R290	2	2	1225	762	868	1/6	115/60	2.3	379	87	1 ~ 8°C
				48.2	30.0	34.1				13.4	191	33 ~ 45°F

Equipped with one NEMA 5-15P plug 

Shipping Information

Crate Dimensions (mm / inch)			Net Weight (KG / LBS)	Gross Weight (KG / LBS)
L	D	H		
1280	831	980	87	105
50.4	32.7	38.6	192	231

Specifications subject to change without notice.